

MOUNTING ACCESSORIES

Anti-rotation devices for all type of hollow-shaft and through hollow shaft encoders

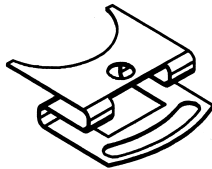
DAC
MEFLEX



Anti-rotation devices For hollow shaft encoder without torque stop slot

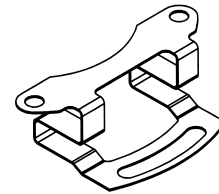
Ref. 9445/006

Ø 40 mm



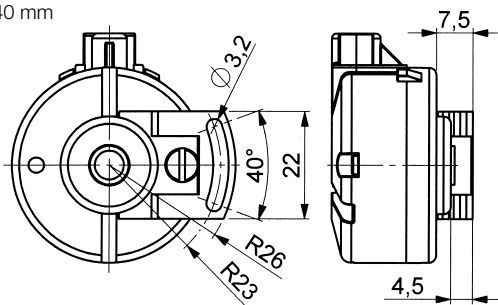
Ref. 9445/009

Ø 90 mm



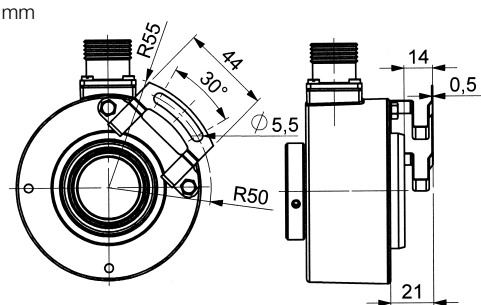
Ref. 9445/006

Ø 40 mm



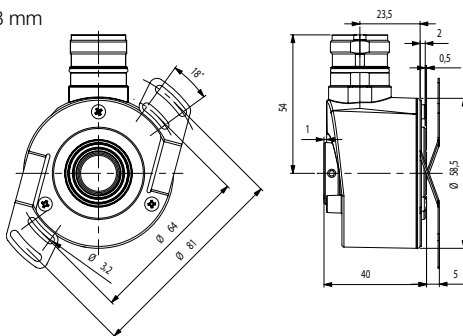
Ref. 9445/009

Ø 90 mm



Ref. 9445/015

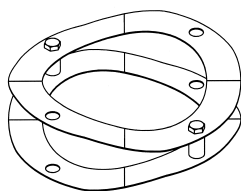
Ø 58 mm



Anti-rotation devices For hollow shaft encoder without torque stop slot

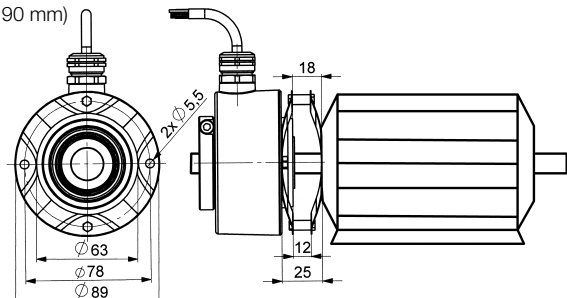
Ref. 9445/004

Ø 90 mm



Ref. 9445/004

GHU9
(Ø 90 mm)



Meyer Industrie-Electronic GmbH - MEYLE

Carl-Bosch-Straße 8 Tel.: (+49) 054 81-93 85-0 Internet: www.meyle.de
49525 Lengerich/Germany Fax: (+49) 054 81-93 85-12 E-Mail: sales@meyle.de

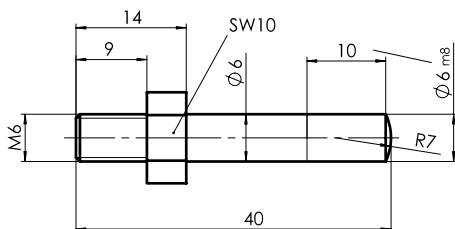
MOUNTING ACCESSORIES

Anti-rotation devices For large hollow shaft encoder with torque stop slot

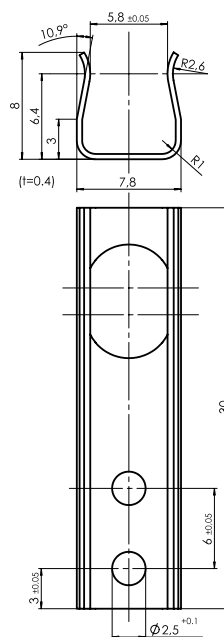
Ref. 9475/005

Complete set, consisting of:

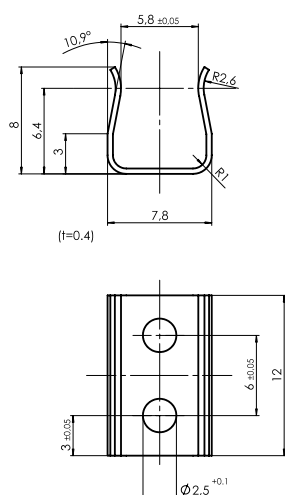
1 x cylindric pin
long with thread



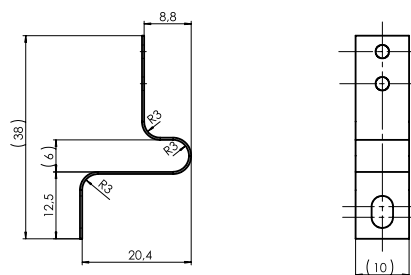
1 x spring long



1 x spring short



bracket



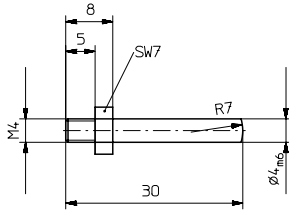
MOUNTING ACCESSORIES

Anti-rotation devices For hollow shaft encoder \varnothing 58 mm with torque stop slot

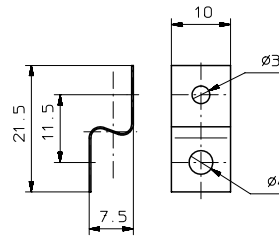
Ref. 9475/001

Complete set, consisting of:

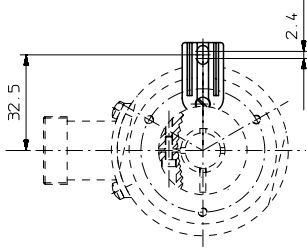
1 x cylindric pin
with thread



1 x mounting bracket
incl. screw M3x5



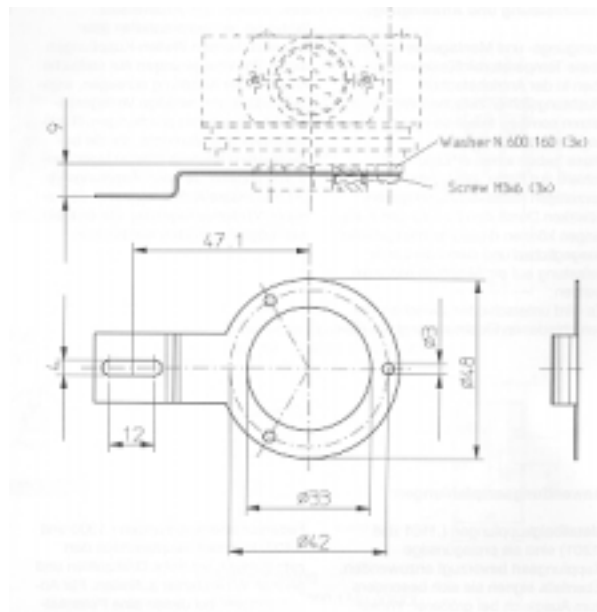
1 x long torque
support slot



Flexible mounting bracket for hollow shaft encoders \varnothing 58 mm, screw hole circuit \varnothing 42 mm

Ref. 9475/010

Delivery includes:
1 x flexible mounting sheet
3 x washer
3 x screw M3x6



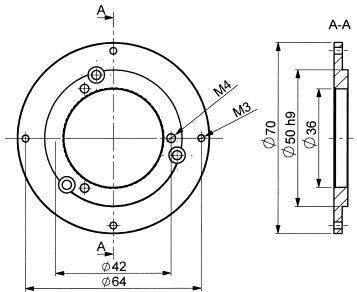
MOUNTING ACCESSORIES

Large choice of mountings
for all encoder standards

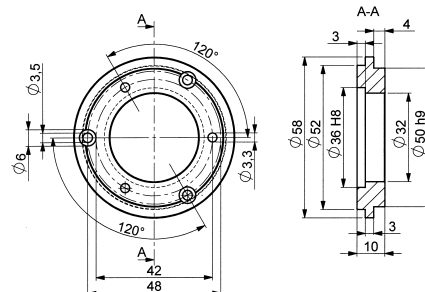


Mountings for Ø 58 mm encoders

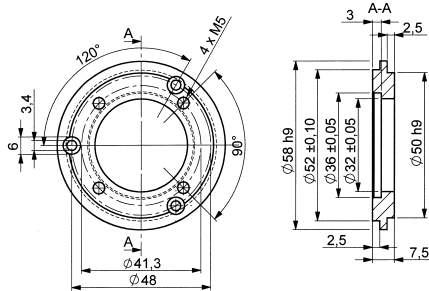
Ref. 9500/002 Aluminium



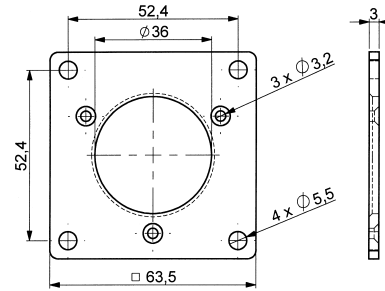
Ref. 9500/003 Aluminium



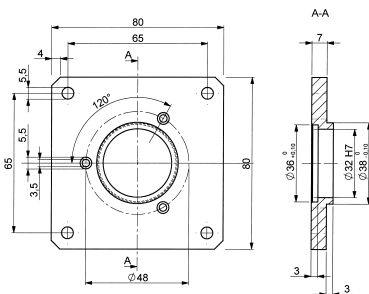
Ref. 9500/004 Aluminium



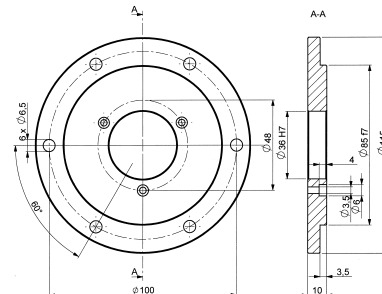
Ref. 9500/005 Aluminium



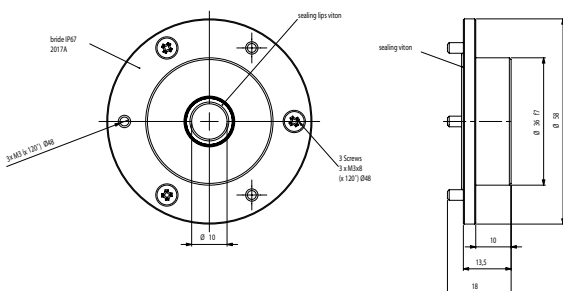
Ref. 9500/006 Aluminium



Ref. 9500/030 Aluminium



Ref. 9500/049 Sealing flange IP 67



Meyer Industrie-Electronic GmbH - MEYLE

Carl-Bosch-Straße 8 Tel.: (+49) 054 81-9385-0 Internet: www.meyle.de
49525 Lengerich/Germany Fax: (+49) 054 81-9385-12 E-Mail: sales@meyle.de

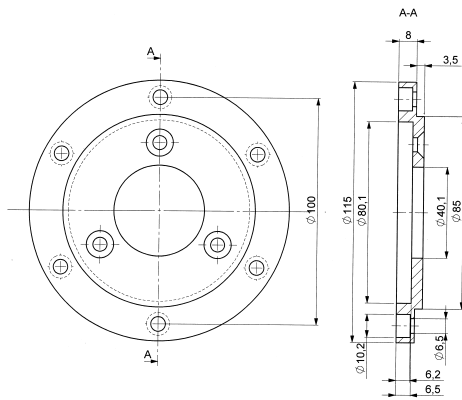
MOUNTING ACCESSORIES

Large choice of mountings for all encoder standards

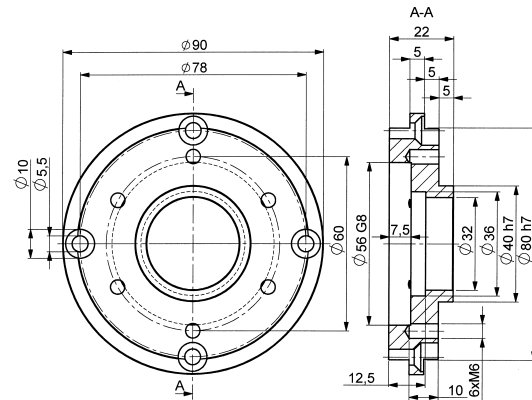


Mountings for Ø 90 mm encoders

Ref. 9500/007 Aluminium

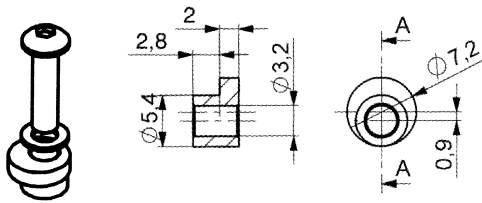


Ref. 9500/028 Aluminium

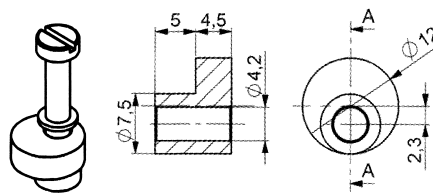


Excentric mounting

Ref. 9500/014 Nickel-coated brass



Ref. 9500/015 Stainless steel



COUPLING

Large choice of couplings
with adaptation for all types
of encoders



Ref. 9400

Flexible washer coupling

(mm)	Ø X1 H7	Ø X2 H7
9400/12-12	12	12
9400/10-10	10	10
9400/06-06	6	6
9400/06-10	6	10
9400/06-12	6	12
9400/10-12	10	12
9400/08-08	8	8
9400/08-06	8	6
9400/08-10	8	10
9400/08-12	8	12

Possibilities for boring between 6 and 12 mm

Ref. 9401

Spring coupling

(mm)	Ø X1 H7	Ø X2 H7
9401/12-12	12	12
9401/10-10	10	10
9401/06-06	6	6
9401/06-10	6	10
9401/06-12	6	12
9401/10-12	10	12
9401/08-08	8	8
9401/08-06	8	6
9401/08-10	8	10
9401/08-12	8	12
9401/12-14	12	14
9401/14-14	14	14

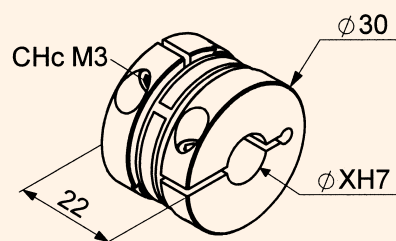
Possibilities for boring between 6 and 14 mm

Ref. 9402

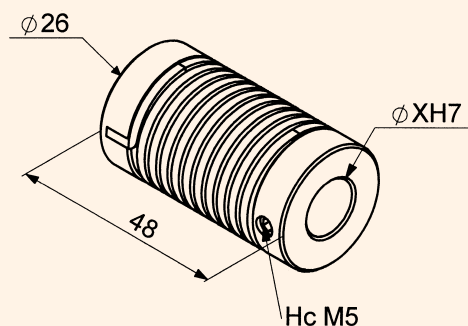
Small spring coupling

(mm)	Ø X1 H7	Ø X2 H7
9402/10-10	10	10
9402/06-06	6	6

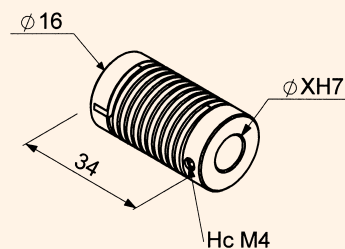
Réf. 9400



Réf. 9401



Réf. 9402



Ref. 9403

Precision bellow coupling without insulation

	\varnothing X1 H7	\varnothing X2 H7
9403/10-10	10	10
9403/06-06	6	6
9403/06-10	6	10

Possibilities for boring between 4 and 10 mm

Ref. 9404

Precision bellow coupling

(mm)	\varnothing X1 H7	\varnothing X2 H7
9404/12-12	12	12
9404/10-10	10	10
9404/06-06	6	6
9404/06-10	6	10
9404/06-12	6	12
9404/10-12	10	12
9404/08-08	8	8
9404/08-06	8	6
9404/08-10	8	10
9404/08-12	8	12

Possibilities for boring between 6 and 14 mm

Ref. 9410

«OLDHAM» coupling

(mm)	\varnothing X1 H7	\varnothing X2 H7	\varnothing Y	Z	P
9410/C06-06	6	6	25.4	28.4	8.6
9410/C06-10	6	10	25.4	28.4	8.6
9410/C10-10	10	10	25.4	28.4	8.6
9410/A06-06	6	6	33.3	48	13
9410/A06-10	6	10	33.3	48	13
9410/A08-08	8	8	33.3	48	13
9410/A08-12	8	12	33.3	48	13
9410/A10-10	10	10	33.3	48	13
9410/A12-12	12	12	33.3	48	13
9410/B10-10	10	10	41.3	50.8	16.7
9410/B12-12	12	12	41.3	50.8	16.7

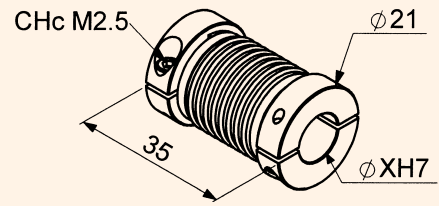
Possible borings from 6 to 14 mm (except for 9410/C de 4 à 10)

Ref. 9417

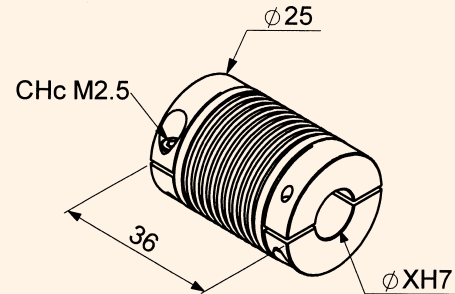
Plastic coupling

(mm)	\varnothing X1 H7	\varnothing X2 H7
9417/06-06	6	6

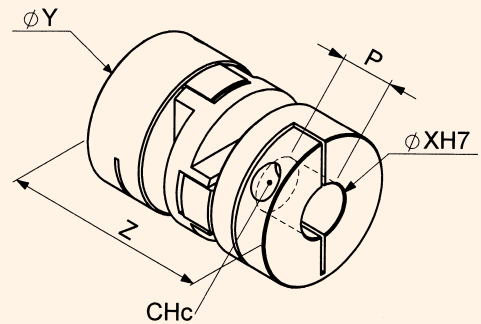
Réf. 9403



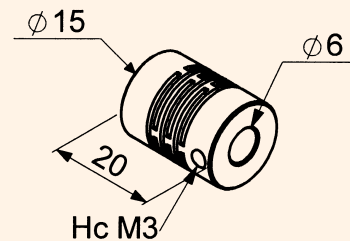
Réf. 9404



Réf. 9410



Réf. 9417



CONNECTION ACCESSORIES

Large choice of sockets and other connection accessories for all encoder standards



SOCKETS

Type 1 - Ref. 9412/F

Female socket 4 pins (CNOMO)

Type 2 - Ref. 9414_F5

Female socket DIN 5 pins

Type 5, 6 & H - Ref. 9416/...

Female sockets M23 clockwise

	12 pins	16 pins	Note
Ref. 9416/004	9416/006		Shield not linked to connector

Ref. 9416/004P	9416/006P		Shield linked to connector (EMI)
----------------	-----------	--	----------------------------------

Type 8 - Ref. 9416/...

Female sockets M23 counter-clockwise

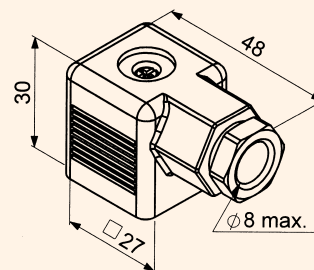
	12 pins	16 pins	Note
Ref. 9416/014	9416/037		Shield not linked to connector

Ref. 9416/055	9416/060		Shield linked to connector (EMI)
---------------	----------	--	----------------------------------

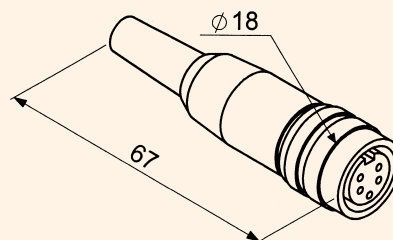
Type 9 - Ref. 8213/011 + Ref. 8212/065

Female sockets DB9 + cover

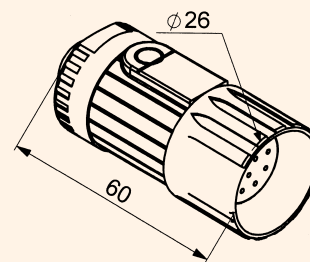
Ref. 9412



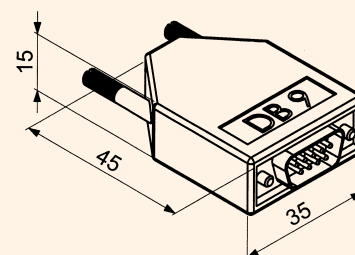
Ref. 9414



Ref. 9416



Ref. 8213



EXTENSION CABLE

Type M23 – Ref. 9416/013

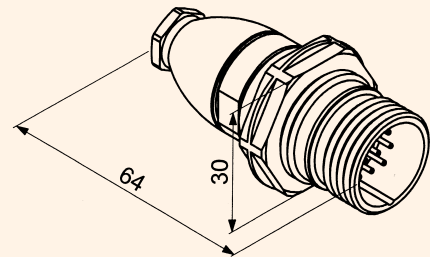
Extension M23 clockwise

Type M23 – Ref. EJ/9416-004B/ xxx*

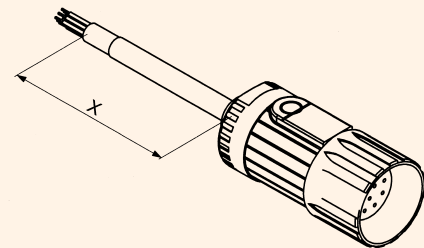
Extension cable M23 female clockwise

*xxx = length

Ref. 9416/013



Ref. EJ/9416



MEASURING ACCESSORIES

Mesuring wheels
Pinion-Rack
Slave-bearing modules



Measuring wheel, circumference 200 mm

Ref.	Ø X H7 (mm)	Coating
9108/06	6	
9108/08	8	Polyurethan
9108/10	10	
9109/06	6	
9109/08	8	knobbled rubber
9109/10	10	
9110/06	6	Knurled aluminium

Mainly for Ø 58 mm encoders

Measuring wheel, circumference 500 mm

Ref.	Ø X H7 (mm)	Coating
9101/08	8	
9101/10	10	Polyurethan
9101/12	12	
9102/08	8	
9102/10	10	knobbled rubber
9102/12	12	
9103/12	12	Knurled aluminium

Mainly for Ø 90 and 102 mm encoders

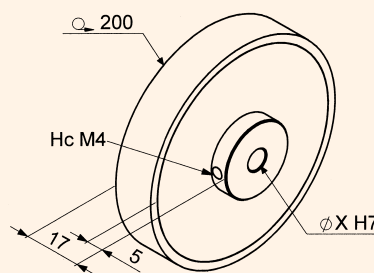
Racks

Ref.	Y (mm)	Module
9514 / 002	1000	1,591
9514 / 003	2000	1,591

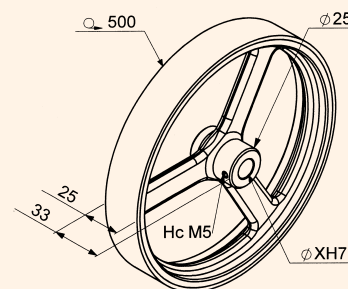
Pinions

Ref.	Ø X H7 (mm)	Nbr of teeth	Module
9215 / 002	8	20	1,591
9215 / 004	10	20	1,591
9215 / 005	12	20	1,591

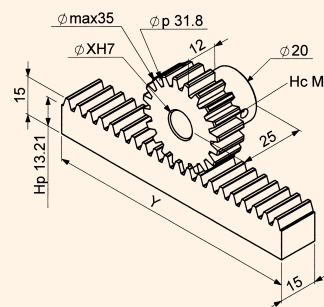
Ref. 9108/9109/9110 Aluminium



Ref. 9101/9102/9103 Aluminium



Ref. 9212/9215 Steel C 45



MOUNTING ACCESSORIES

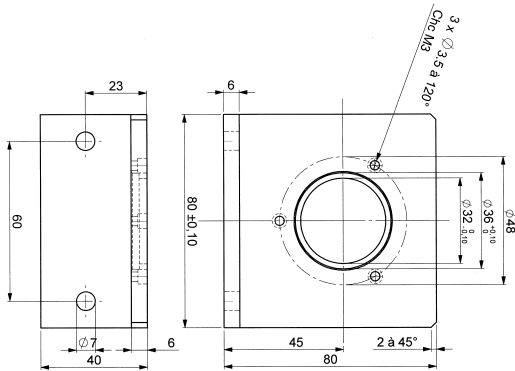
Aluminium mounting brackets
 Aluminium spring: adjustable
 compensating brackets
 for linear measuring



Mounting brackets

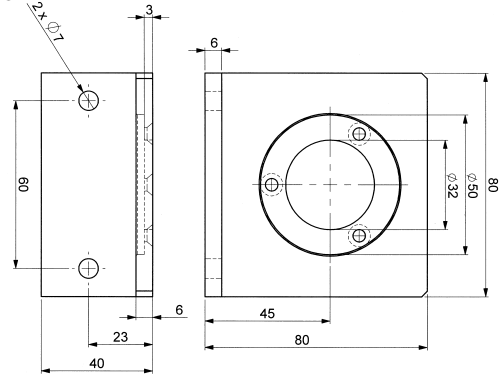
Ref. 9202

Ø 58 mm



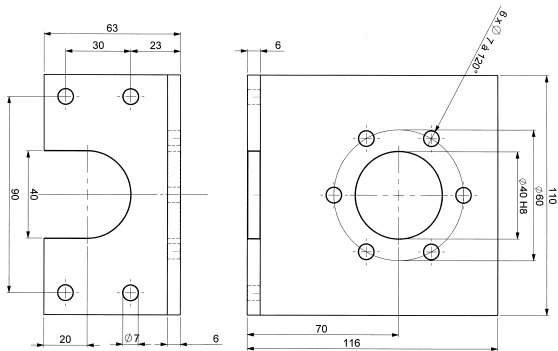
Ref. 9204

Ø 58 mm



Ref. 9302

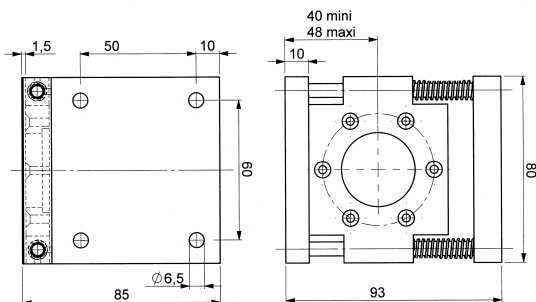
Ø 90 mm



Adjustable spring brackets

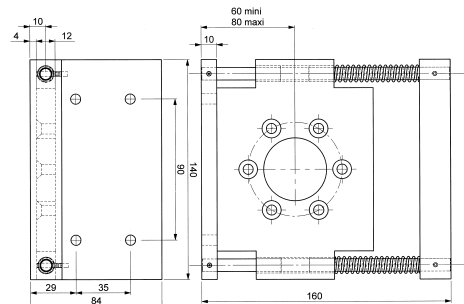
Ref. 9212

Ø 58 mm



Ref. 9213

Ø 90 mm



Meyer Industrie-Electronic GmbH - MEYLE

Carl-Bosch-Straße 8 Tel.: (+49) 054 81-93 85-0 Internet: www.meyle.de
 49525 Lengerich/Germany Fax: (+49) 054 81-93 85-12 E-Mail: sales@meyle.de