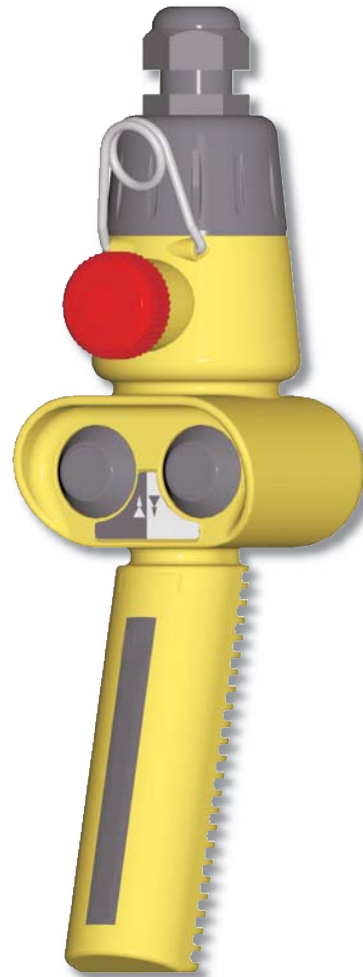


# CH Pendant Control Station

CH Pendant Station is a control device for all industrial machinery. It operates as an auxiliary controller of electrical motors through a power interface, such as a contactor or PLC. Designed for heavy duty, CH is aimed specifically for the industrial market.

The look of CH has been devised by industrial designers who have linked all the graphic elements to specific technical functions. The project has been developed on the basis of specifications such as technicism, anthropomorphism, futurism and ergonomics to obtain a product whose connotation adds to its uniqueness. The small size of the equipment facilitates its use in all environmental and working conditions, while the shape, resulting from the research of a graphic style suitable for a modern industrial environment, makes CH very handy.



A threaded ring is used to secure the enclosure and cover, which also allows easy access to the internal components without any need for tools or screws. The switches are assembled inside the pendant station without the need for screws and they all have terminals facing the cable clamp of the pendant station and screws on the opposite side to facilitate wiring. All electric connections use screw-type terminals.

The emergency stop mushroom pushbutton complies with the EN 418 standard and is equipped with positive opening NC switches. Materials and components are wear resistant and protect the equipment against water and dust. CH can be customised with labels and colours according to the customer's requirements.

## Technical Specifications

Conformity to Community Directives	73/23/CEE 93/68/CEE
Conformity to Standards	EN 60204-1 EN 60947-1 EN60947-5-1 EN 60529 EN 418 EN 50013 IEC 536
Ambient temperature	Storage -40°C/+70°C Operational -25°C/+70°C
Protection degree	IP 65
Insulation category	Class II
Cable entry	Cable clamp PG16
Operating positions	Any position
Weight	~ 320 g

## Technical Specifications of the Switches

Utilisation category	AC 15
Rated operational current	3 A
Rated operational voltage	250 V
Rated thermal current	10 A
Rated insulation voltage	500 V~
Mechanical life	0,5x10 <sup>6</sup> operations
Terminal referencing	According to EN 50013
Connections	Screw-type terminals

## Features of the Switches

The single switches MY1000PI and MY1001PI have 1 NO or 1 NC contact with 2 connecting terminals.

The double switch PMY1002PI (1 speed) has:

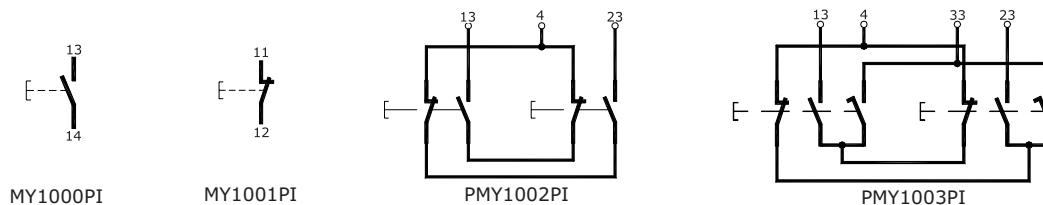
1 NO contact with 1 connecting terminal for each opposite function - 1 single terminal for both functions - electrical interlock.

The double switch PMY1003PI (2 speeds) has:

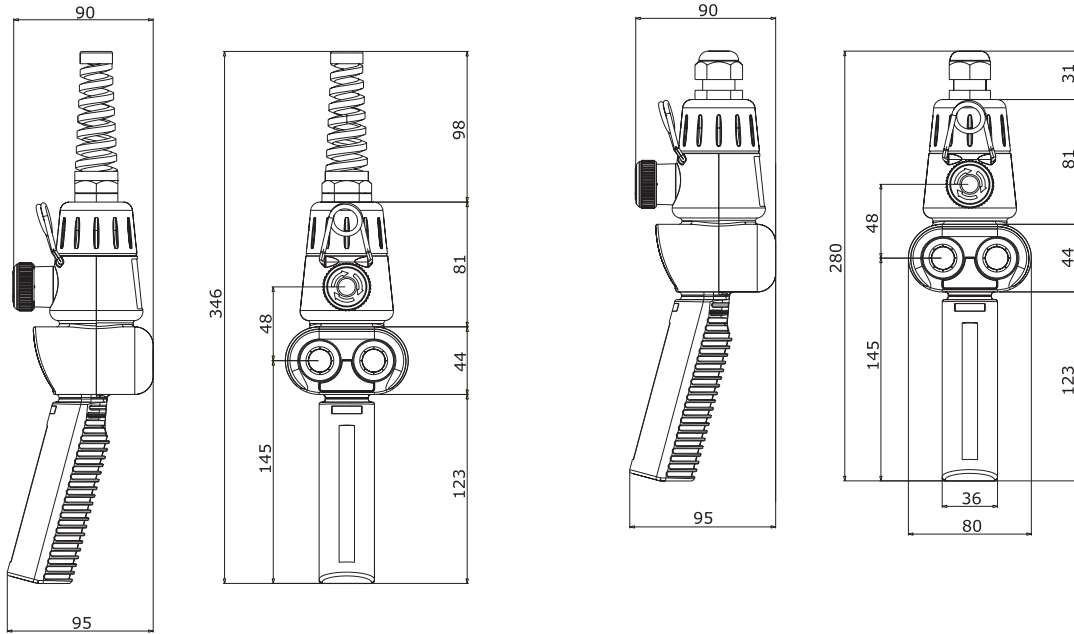
1 NO contact with 1 connecting terminal for the first speed for each opposite function - 1 NO contact with 1 connecting terminal for the second speed for both functions - 1 single terminal for both functions - electrical interlock.

All nc contacts are of the positive opening operation type.

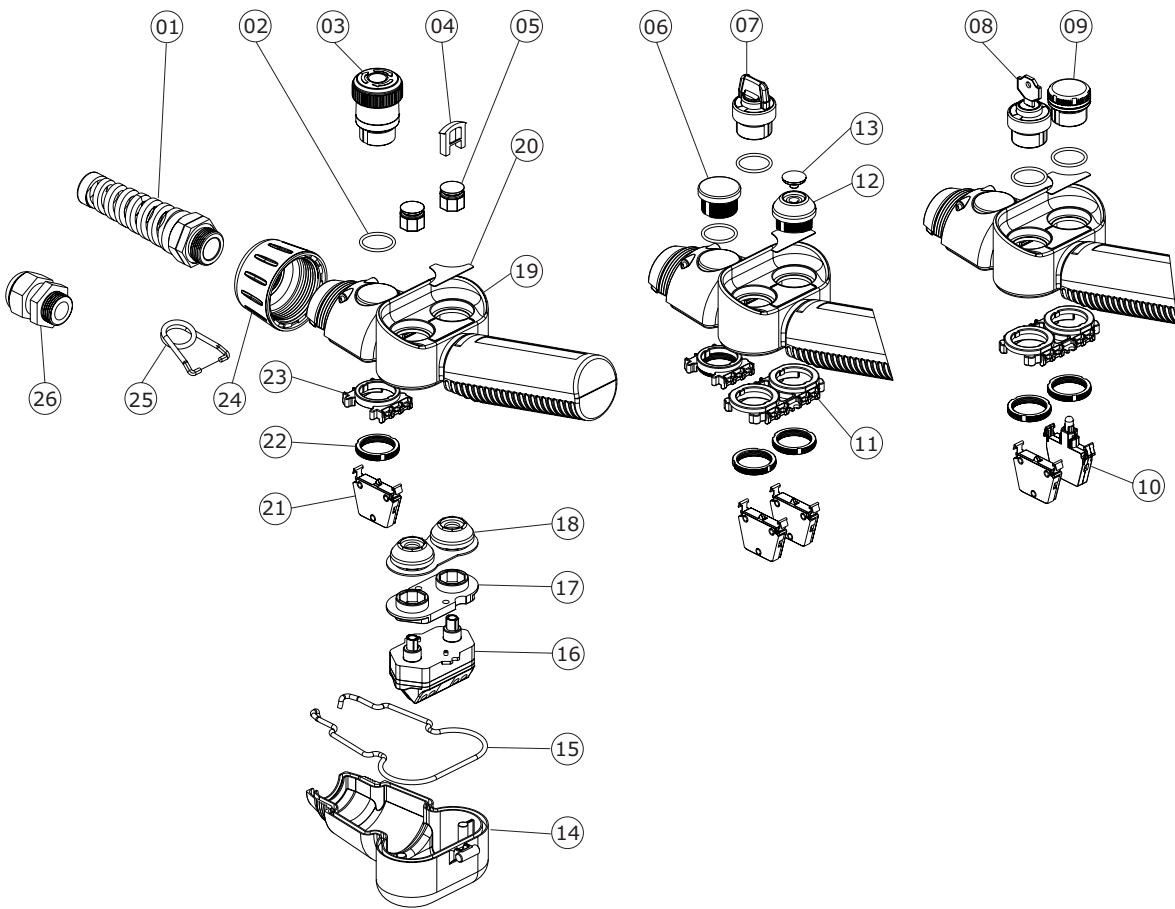
The switches have the following reference for internal wiring



## Overall Dimensions



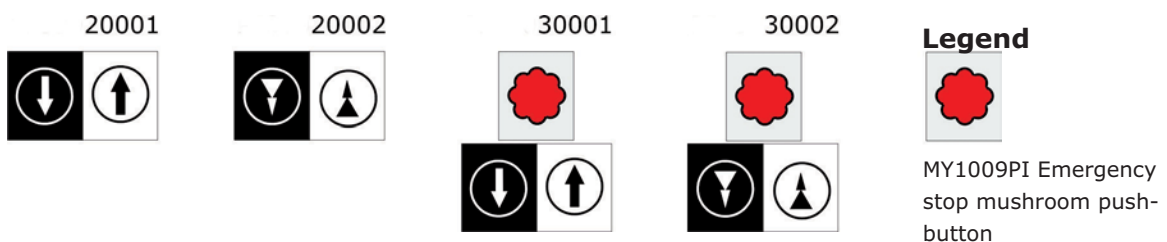
## Detailed Drawing



## Components

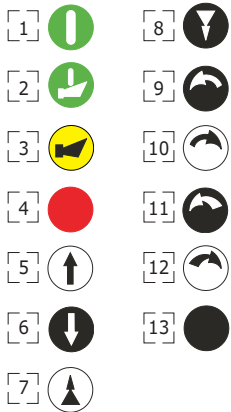
Reference	Description
01	Spiral cable clamp PG16
02	O Ring
03 (+02+22)	Emergency stop mushroom pushbutton
04	Grip plug
05	Button for double pushbutton
06 (+02)	Blanking plug
07	Spring return selector switch (on-Off) Selector switch (on-off) Spring return 3 position selector switch 3 position selector switch
08	Key selector switch (on-off) Spring return key selector switch
09	Red pilot light Yellow pilot light Green pilot light
10	Lamp holder
11	Holding plate for 2+2 switches
12	Single pushbutton (without button)
13	Button for single pushbutton
14 (+15)	Enclosure
15	Gasket
16	1 speed double switch 2 speed double switch
17	Holding plate for rubber
18	Rubber for double pushbutton
19	Cover
20	Label
21	1 NO switch 1 NC switch
22	Ring
23	Holding plate for 3 switches
24	Closing ring for spiral cable clamp Closing ring for cable clamp
25	Hook
26	Cable clamp PG16

## Standard Pendant Control Stations



# Request Form for Non Standard Pendant Stations

## Symbols and control elements



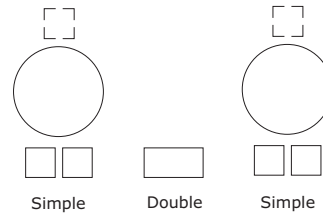
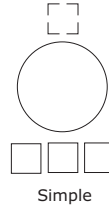
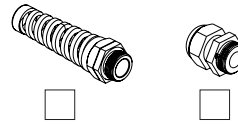
- [14] MY1009PI Mushroom pushbutton
- [15] MY1012PI Red pilot light
- [16] MY1013PI Yellow pilot light
- [17] MY1014PI Green pilot light
- [18] MY1015PI Spring return selector sw. (on-off)
- [19] MY1016PI Selector switch (on-off)
- [20] MY1017PI Key selector switch (on-off)
- [21] MY1023PI Blanking plug
- [22] MY1024PI Spring return key selector switch
- [23] MY1026PI Spring return 3 posit. selector switch
- [24] MY1027PI 3 position selector switch

### SINGLE SWITCHES

- [1] MY1000PI 1 NO
- [2] MY1001PI 1 NC
- [3] MY1004PI Lamp holder

### DOUBLE SWITCHES

- [1] PMY1002PI 1 speed
- [2] PMY1003PI 2 speeds



## Instructions

- Write the number corresponding to the **control element** required (broken line box). When buttons are required, write the number corresponding to the **symbol** required and mark the direction of the arrow into the corresponding circle. Personalised symbols and letterings can be requested under Remarks.
- Selector switches MY1026PI and MY1027PI can be assembled only in the central position.
- Write the number corresponding to the single or double **switches**.
- Mark the appropriate box to show whether the **spiral cable clamp** or the **cable clamp PG16** is required..

## Remarks

---

---

---

---

---

---

---

---

---

---

## Use and Maintenance Instructions

CH Pendant Control Station is an electromechanical device for low voltage control circuits (EN 60947-1, EN 60947-5-1) to be used as electrical equipment on machines (EN 60204-1) in compliance with the fundamental requirements of the Low Voltage Directive 73/23/CEE and of the Machine Directive 89/392/CEE.

The pendant station is designed for industrial use and also for use under particularly severe climatic conditions (operational temperature from -25°C to +70°C, suitable for use in tropical environment). The equipment is not suitable for use in environments with potentially explosive atmosphere, corrosive agents or a high percentage of sodium chloride (saline fog). Oils, acids or solvents may damage the equipment.

The switches (10, 16, 21) are designed for auxiliary control of contactors or electromagnetic loads (utilisation category AC-15 according to EN 60947-5-1). Do not connect more than one phase to each switch (10, 16, 21). Do not oil or grease the control elements (03, 05, 07, 08, 12) or the switches (10, 16, 21).

The installation of the pendant station shall be carried out by an expert and trained personnel. Wiring shall be properly done according to the current instructions.

Prior to the installation and the maintenance of the pendant station, the main power of the machinery shall be turned off.

### Steps for the proper installation of the pendant station

- unscrew and remove the front ring (24) and the cable clamp (26)
- open the lower cover (14)
- insert the cable into the cable clamp (26) to a length suitable for wiring the switches
- strip the cable to a length suitable for wiring the switches (10, 16, 21)
- tape the stripped part of the cable
- connect all the switches (10, 16, 21) according to the contact scheme printed on the switches (tighten the wires into the terminals with a torque equal to 0.6 Nm; insertability of wires into the switch terminals equal to  $2 \times 1.5 \text{ mm}^2 - 1 \times 2.5 \text{ mm}^2$ )
- screw the front ring (24) to close enclosure and lower cover (14) (check the proper positioning of the coupling pin of the lower cover (14) and of the rubber (15))
- tighten the cable clamp (26) on the cable tight enough to guarantee protection against water and/or dust.

### Periodic maintenance steps

- check the proper tightening of the front ring (24)
- check the proper tightening of the cable clamp (26)
- check the proper tightening of the switch (10, 16, 21) terminal screws
- check all wiring (in particular where wires clamp into the switches)
- check the conditions of the rubber (15) fit into the lower cover (14) and of the rubber of the control elements (12, 18)
- check that the plastic enclosure (03, 05, 13) of the pendant station is not broken

In case any component of the pendant station is modified, the validity of the markings and the guarantee on the equipment are annulled. Should any component need replacement, use original spare parts only.

MEYLE declines all responsibility for damages caused by the improper use or installation of the equipment.